

1

2

3

4

5

6

7

8

A

A

B

B

C

C

D

D

U_Connectors
Connectors.SchDoc



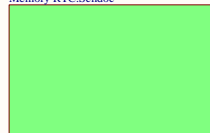
U_LED_Array
LED_Array.SchDoc



U_BLE112
BLE112.SchDoc



U_Memory_RTC
Memory_RTC.SchDoc



History

Date	Revision	Comments

Title Schematic Document		Extron Design Services	
Size: A3	Number: 56570	Revision:	
Date: 28/08/2015	Time: 11:02:43 AM	Sheet1 of 5	
File: D:\RandDC\client\imagecraft\56570 ACES V1.00\Development\sch_pcb\Rev A\56570 ACES Rev A.SchDoc			



1

2

3

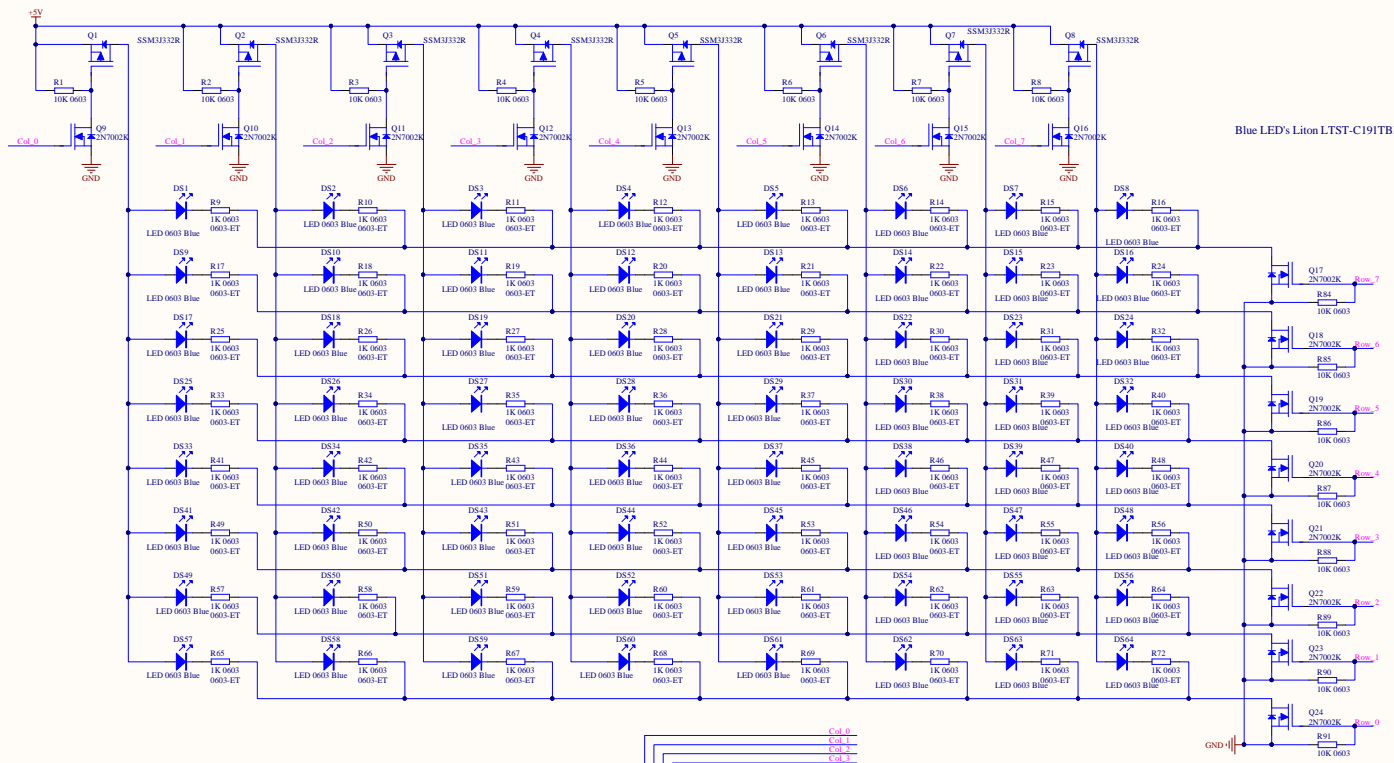
4

5

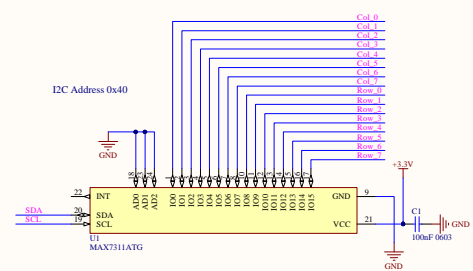
6

7

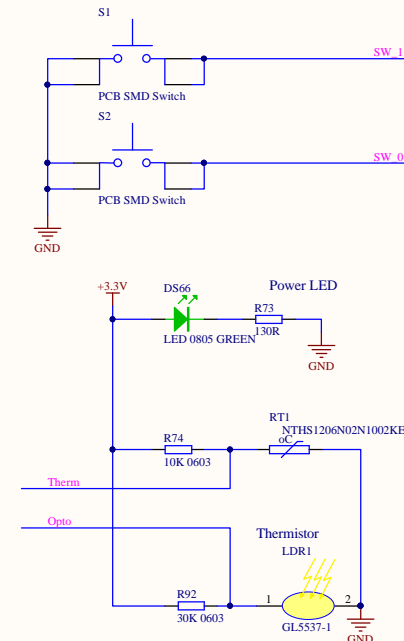
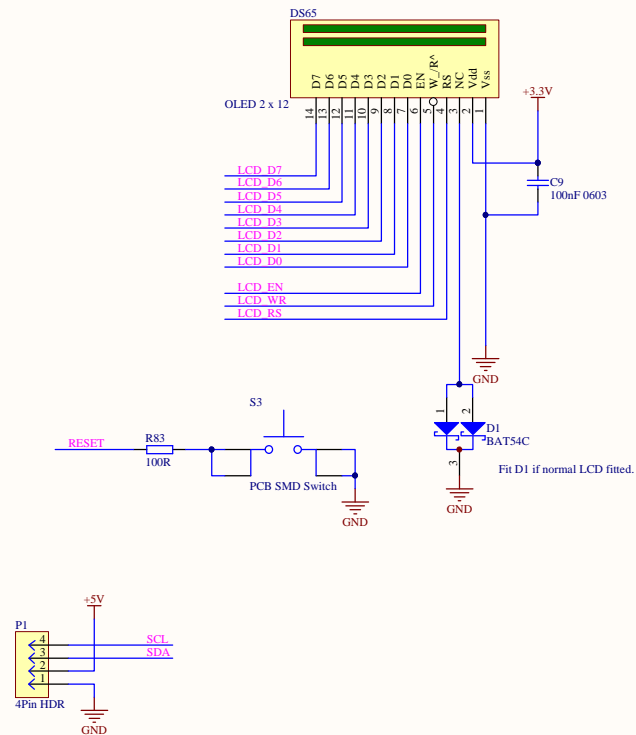
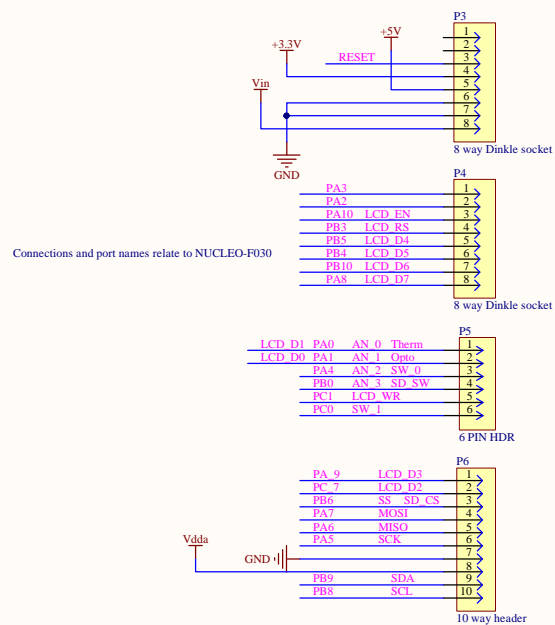
8



Blue LED's Liton LTST-C191TBKT



ImageCraft			
Schematic Document			
Size A2	PCSM No.	DWG No.	Rev
		56570	
Scale	*	Sheet	2 of 5



History		
Date	Revision	Comments
A		
Title Schematic Document		Extron Design Services
Size: A3	Number: 56570	Revision:
Date: 28/08/2015	Time: 11:02:43 AM	Sheet 4 of 5
File: D:\RandDC\client\imagecraft\56570\ACES V1.00\Development\sch_pcb\Rev A\Connectors.SchDoc		

